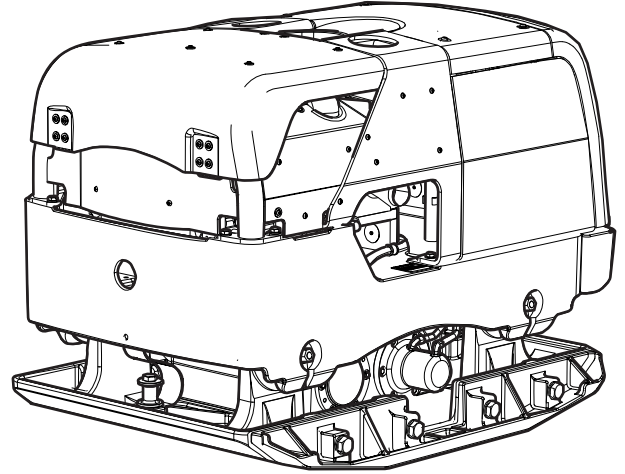


Spare parts list

Forward and reversible plate

	Valid from serial number
LH 800 Hatz Electric start 660 mm	80031001
LH 800 Hatz Electric start 660 mm Bio	80031001
LH 800 Hatz Electric start 810 mm Bio	80031001
LH 800 Hatz Electric start 960 mm Bio	80031001
LH 800 Hatz Electric start 660 mm	BGF000001
LH 800 Hatz Electric start 660 mm Bio	BGF000001
LH 800 Hatz Electric start 810 mm Bio	BGF000001
LH 800 Hatz Electric start 960 mm Bio	BGF000001



Contents

General information.....	5
Spare parts list.....	6
Ground plate, engine plate and frame.....	6
Noise suppression.....	8
Hydraulic oil tank.....	10
Eccentric element.....	12
Hydraulic cylinder.....	14
Engine installation.....	16
Hydraulic system.....	18
Hydraulic block.....	20
Electrical equipment.....	22
Battery box.....	26
Emergency box.....	28
Labels.....	30
Kits.....	32
One year service kit.....	32
Shock absorber repair kit.....	32
Eccentric element repair kit.....	32
Forward and reverse piston repair kit.....	33
Extension plate kit 2 x 75 mm (2 x 2.95 in.).....	33
Extension plate kit 2 x 150 mm (2 x 5.90 in.).....	34

General information

This spare parts list applies to the following:

Part number	Description
3382 0000 72	Forward and reversing plate LH 800 Hatz Electric start 660 mm (25.98 in.)
3382 0000 74	Forward and reversing plate LH 800 Hatz Electric start 660 mm (25.98 in.) Bio
3382 0000 76	Forward and reversing plate LH 800 Hatz Electric start 810 mm (31.89 in.) Bio (660 mm plus 2 x 75 mm / 25.98 in. plus 2 x 2.95 in.)
3382 0000 77	Forward and reversing plate LH 800 Hatz Electric start 960 mm (37.80 in.) Bio (660 mm plus 2 x 150 mm / 25.98 in. plus 2 x 5.91 in.)

Use only authorized parts. Any damage or malfunction caused by the use of unauthorized parts is not covered by Warranty or Product Liability. Any unauthorized use or copying of the contents or any part thereof is prohibited. This applies in particular to trademarks, model denominations, part numbers, and drawings.

Instructions for use

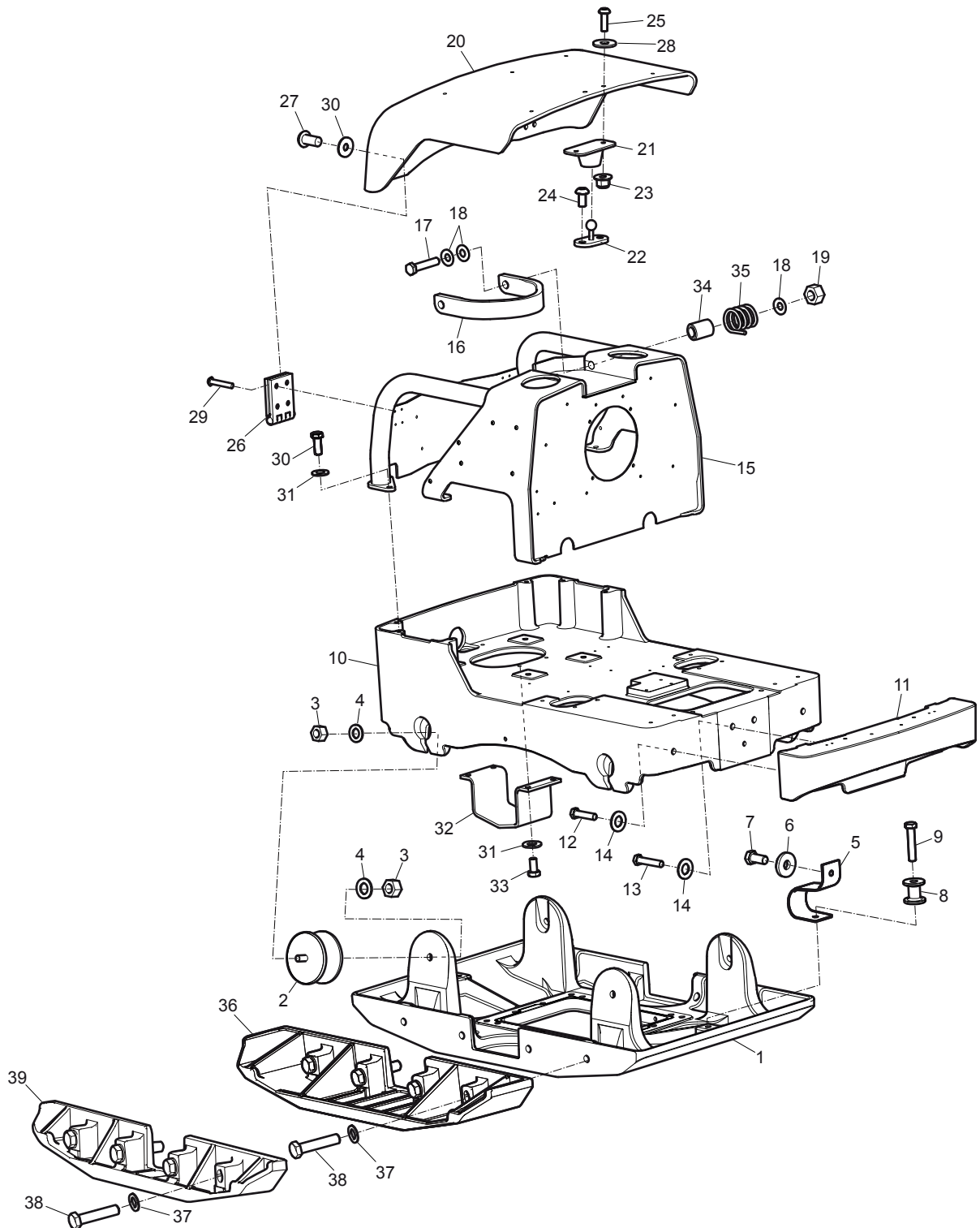
This spare parts list contains no safety regulations and is merely intended to assist in the ordering of spare parts.

For information about operating, servicing, or repairing, the relevant Safety and operating instructions must be consulted at all costs.

Please observe the safety instructions listed in the relevant Safety and operating instructions!

Spare parts list

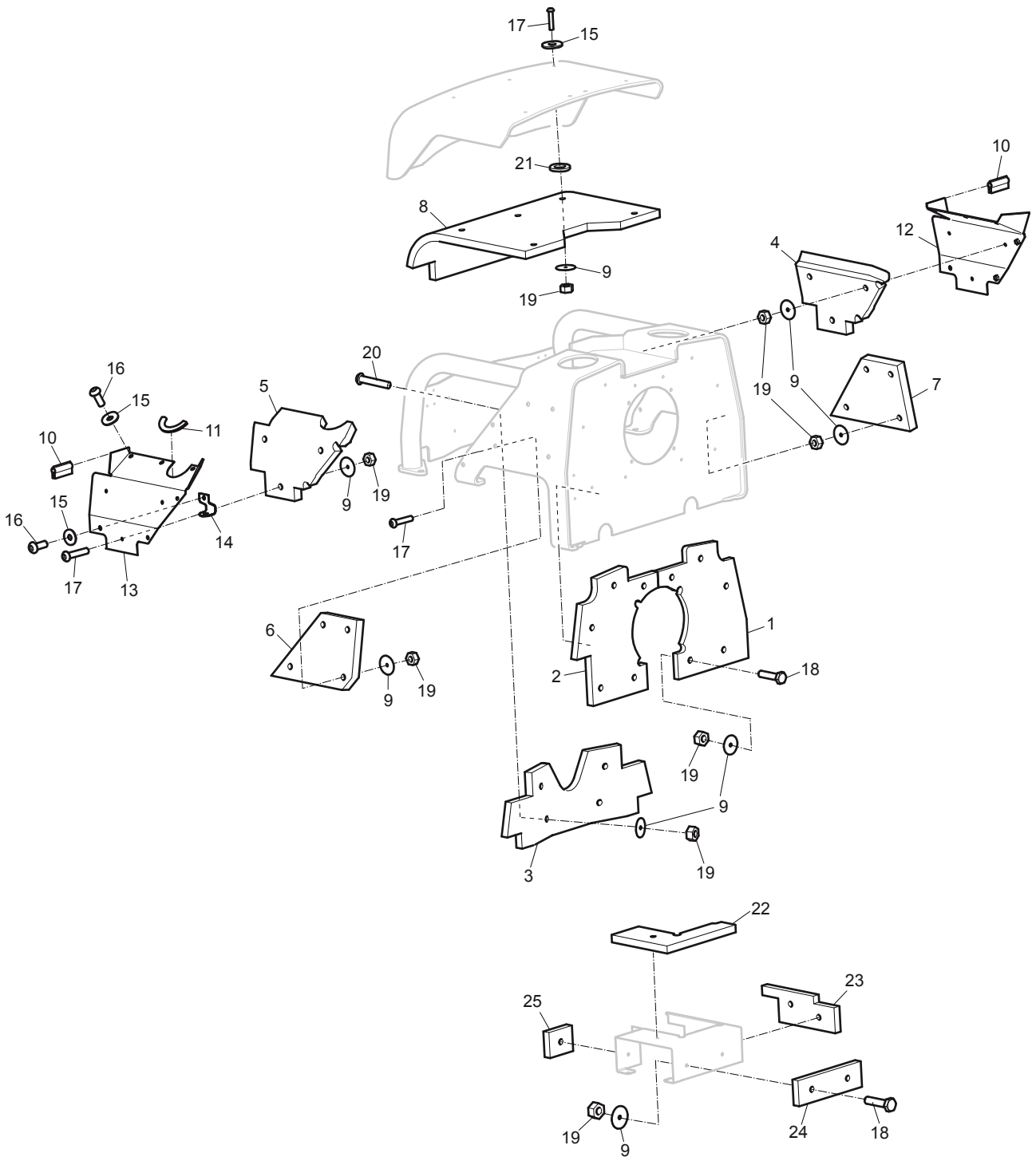
Ground plate, engine plate and frame



No.	Description	Remark	Quantity	Part number
30(1-39)				
1	Ground plate		1	4700 3866 86
2	Shock absorber		4	4700 2815 90
3	Nut	M16 A3K	8	4700 5700 08
4	Washer	17 x 30 x 3 mm 0.70 x 1.18 x 0.12 in. 300 HV	8	-
5	Strap		2	3382 0107 17
6	Washer	13 x 36 x 6 mm 0.51 x 1.42 x 0.24 in. 300 HV	2	-
7	Screw	M12 x 40 mm 10.9 GEOMET®	2	4700 9476 86
8	Sleeve		2	4700 3818 50
9	Screw	M16 x 80 mm 8.8 A3K	2	-
10	Engine plate		1	3382 0106 81
11	Extension		1	3382 0107 00
12	Screw	M12 x 60 mm 8.8 A3K	2	-
13	Screw	M12 x 50 mm 8.8 A3K	2	-
14	Washer	13 x 24 x 2 mm 0.51 x 0.98 x 0.08 in. 300 HV	4	-
15	Protective frame		1	3382 0106 89
16	Lifting lug		1	3382 0106 90
17	Screw	M12 x 90 mm 8.8 A3K	2	-
18	Washer	13 x 30 x 4 mm 0.51 x 1.18 x 0.16 in. 300 HV	6	-
19	Nut	M12 ISO7040	2	-
20	Hood		1	3382 0106 91
21	Hood bumper		1	4700 4500 66
22	Hood bumper		1	4700 7911 69
23	Nut	M5 A2K	2	-
24	Screw	M5 x 10 mm A2-70	2	-
25	Screw	M5 x 16 mm A2-70	2	-
26	Hinge		2	4700 3818 82
27	Screw	M8 x 50 mm 12.9 UNBRAKO® U-130	8	4700 9046 50
28	Washer	6 x 18 x 2 mm 0.24 x 0.71 x 0.08 in. 300 HV	10	-
29	Screw	M6 x 16 mm A2-70	8	-
30				
31	Washer	10.5 x 22 x 2 mm 0.41 x 0.87 x 0.08 in. 300 HV	12	-
32	Bracket		1	4700 2843 14
33	Screw	M10 x 20 mm 8.8 A3K	4	-
34	Spacer		2	4700 3940 99
35	Spring		2	4700 3956 89
36	Extension plate	150 mm 5.91 in.	2	4700 3820 77
37	Washer	21 x 36 x 3 mm 0.83 x 1.42 x 0.24 in. 300 HV	8	-
38	Screw	M20 x 90 mm 10.9 GEOMET®	8	4700 9252 08
39	Extension plate	75 mm 2.95 in.	2	3382 0107 11

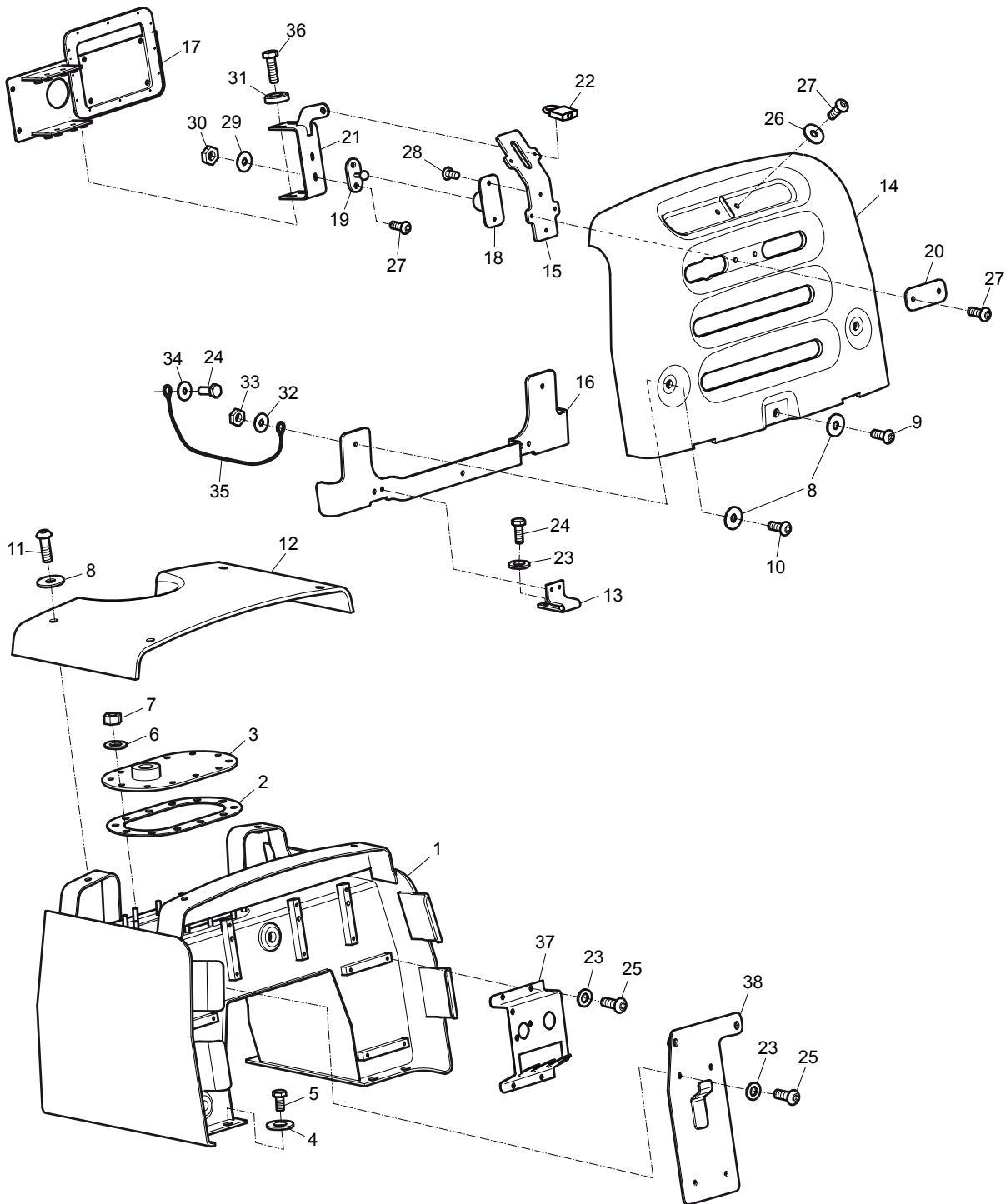
GEOMET is a registered trademark of Nof Metal Coatings North America Inc.
UNBRAKO is a registered trademark of Deepak Fasteners (Shannon) Limited.

Noise suppression



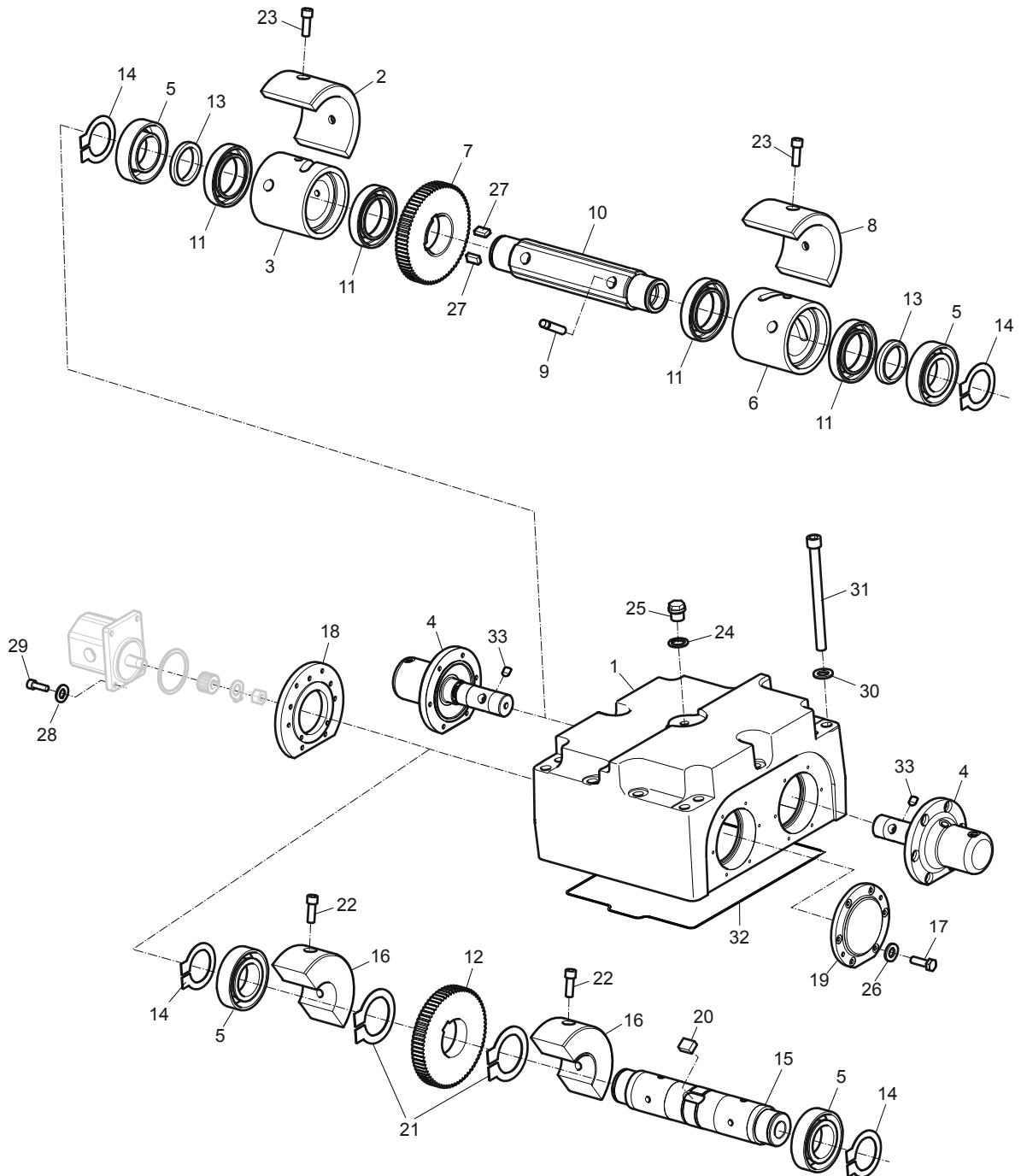
No.	Description	Remark	Quantity	Part number
1	Insulation		1	4700 3833 80
2	Insulation		1	4700 3833 79
3	Insulation		1	4700 3833 85
4	Insulation		1	4700 3833 83
5	Insulation		1	4700 3833 84
6	Insulation		1	4700 3833 81
7	Insulation		1	4700 3833 82
8	Insulation		1	4700 3833 98
9	Insulating washer	40 mm 1.57 in.	39	4700 3734 76
10	Edge trim	65 mm 2.56 in.	2	4700 9040 76
11	Edge trim	100 mm 3.94 in.	1	4700 2020 28
12	Plate		1	3382 0106 93
13	Plate		1	3382 0106 92
14	Bracket		2	4700 3829 11
15	Washer	6 x 18 x 2 mm 0.24 x 0.71 x 0.08 in. 300 HV	15	-
16	Screw	M6 x 16 mm A2-70	8	-
17	Screw	M6 x 30 mm A2-70	23	-
18	Screw	M6 x 25 mm 8.8 A2K	16	-
19	Nut	M6 A2K	39	-
20	Screw	M6 x 25 mm A2-70	4	-
21	Washer	6.4 x 12 x 1.5 mm 0.25 x 0.47 x 0.06 in. 300 HV	5	-
22	Insulation	Mounted on the air inlet	1	4700 3815 46
23	Insulation	Mounted on the air inlet	1	4700 3815 45
24	Insulation	Mounted on the air inlet	1	4700 3815 44
25	Insulation	Mounted on the air inlet	1	4700 3815 43

Hydraulic oil tank



No.	Description	Remark	Quantity	Part number
1	Hydraulic oil tank		1	3382 0106 97
2	Gasket		1	4700 2841 53
3	Cover		1	3382 0106 98
4	Washer	10.5 x 22 x 2 mm 0.41 x 0.87 x 0.08 in. 300 HV	8	-
5	Screw	M10 x 20 mm 8.8 A3K	8	-
6	Washer	8.4 x 16 x 1.5 mm 0.33 x 0.63 x 0.06 in. 300 HV	12	-
7	Nut	M8 A2K	12	-
8	Washer	8.4 x 25 x 2 mm 0.33 x 0.99 x 0.08 in. 300 HV	7	-
9	Screw	M8 x 25 mm A2-70	1	-
10	Screw	M8 x 16 mm A2-70	1	-
11	Screw	M8 x 20 mm A2-70	4	-
12	Hood		1	3382 0106 99
13	Hinge		2	4700 3829 02
14	Hood		1	3382 0107 01
15	Bracket		1	4700 3827 38
16	Bracket		1	4700 3827 12
17	Bracket		1	4700 3860 30
18	Hood bumper		1	4700 4500 66
19	Hood bumper		1	4700 7911 69
20	Plate		1	4700 3827 28
21	Bracket		1	4700 3827 30
22	Pad lock		1	4700 3588 81
23	Washer	6.4 x 12 x 1.5 mm 0.25 x 0.47 x 0.06 in. 300 HV	22	-
24	Screw	M5 x 40 mm 8.8 A2K	9	-
25	Screw	M6 x 16 mm A2-70	14	-
26	Screw	6 x 18 x 2 mm 0.24 x 0.71 x 0.08 in. 300 HV	2	-
27	Screw	M5 x 16 mm A2-70	6	-
28	Screw	M5 x 10 mm A2-70	2	-
29	Washer	5.3 x 10 x 1 mm 0.21 x 0.39 x 0.04 in. 300 HV	2	-
30	Nut	M5 A2K	2	-
31	Washer	6.4 x 12 x 3 mm 0.25 x 0.47 x 0.12 in.	4	-
32	Washer	8.4 x 25 x 2 mm 0.33 x 0.98 x 0.08 in.	1	-
33	Nut	M8 A2K	1	-
34	Washer	7 x 25 x 1.5 mm 0.28 x 0.98 x 0.06 in. 300 HV	1	-
35	Wire		1	4700 3816 19
36	Screw	M6 x 20 mm 8.8 A2K	4	-
37	Bracket		1	4700 3860 38
38	Bracket		1	4700 3885 26

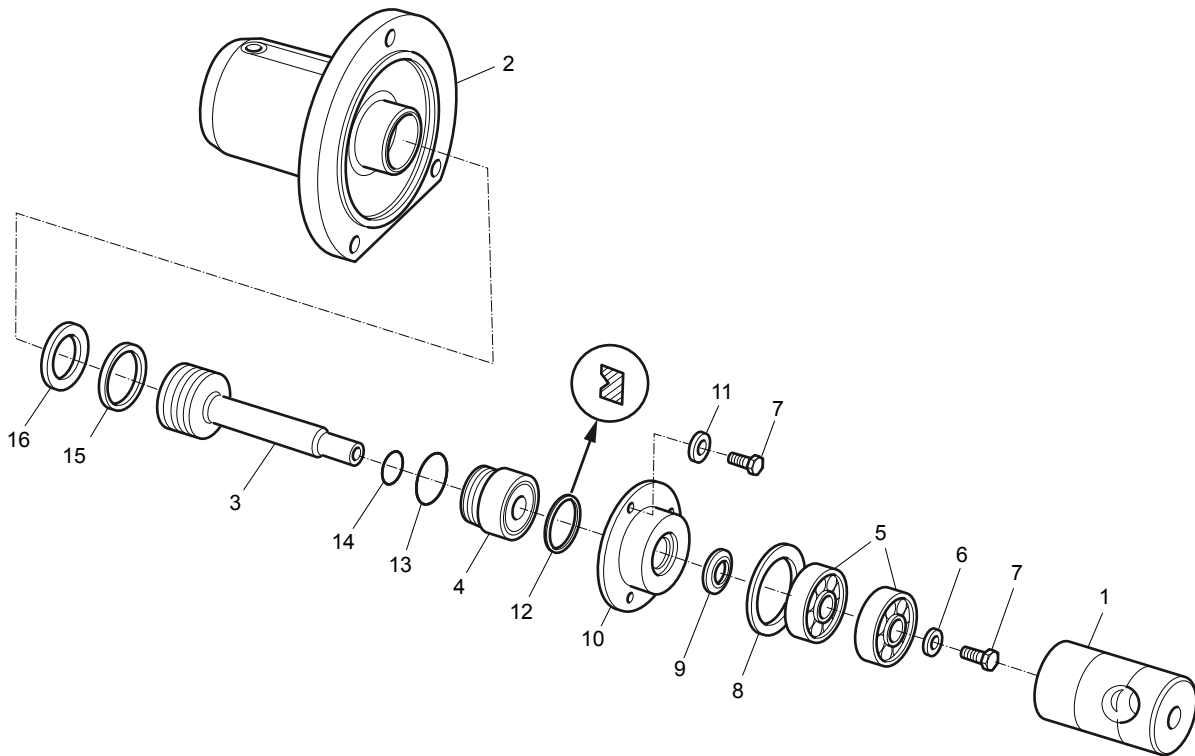
Eccentric element



No.	Description	Remark	Quantity	Part number
1	Eccentric housing		1	4700 3828 01
2	Eccentric weight		1	4700 3811 94
3	Sleeve		1	4700 3811 95
4	Hydraulic cylinder		2	-
5	Roller bearing		4	4700 9005 64
6	Sleeve		1	4700 3812 04
7	Gear		1	4700 3818 23
8	Eccentric weight		1	4700 3812 34
9	Pin		2	4700 3812 64
10	Shaft		1	4700 3811 96
11	Ball bearing		4	7400 1112 10
12	Gear		1	4700 2815 43
13	Spacer		2	4700 3811 97
14	Snap ring		4	4700 1500 20
15	Shaft		1	4700 3821 82
16	Eccentric weight		2	4700 2815 42
17	Screw	M6 x 20 mm 8.8 A2K	25	-
18	Cover		1	4700 2839 54
19	Cover		1	4700 2815 41
20	Key		1	4700 2815 44
21	Snap ring		2	4700 1500 25
22	Screw	M12 x 50 mm 8.8 A3K	4	-
23	Screw	M12 x 35 mm 8.8 A3K	4	-
24	Washer	16.7 x 24 x 1.5 mm 0.66 x 0.94 x 0.06 in. TYPE A, M16	1	4700 1620 11
25	Plug		1	4700 2321 43
26	Washer	6.4 x 12 x 1.5 mm 0.25 x 0.47 x 0.06 in. 300 HV	25	4700 9042 28
27	Key		2	4700 3818 24
28	Washer	8.4 x 16 x 1.5 mm 0.33 x 0.63 x 0.06 in. 300 HV	4	4700 9042 29
29	Screw	M8 x 25 mm 8.8 A2K	4	-
30	Washer	17 x 30 x 3 mm 0.70 x 1.18 x 0.12 in. 300 HV	14	4700 9042 32
31	Screw	M16 x 200 mm 10.9 GEOMET®	14	4700 9046 32
32	O-ring		1	4700 9049 23
33	Stop screw	M10 x 12 mm	2	-

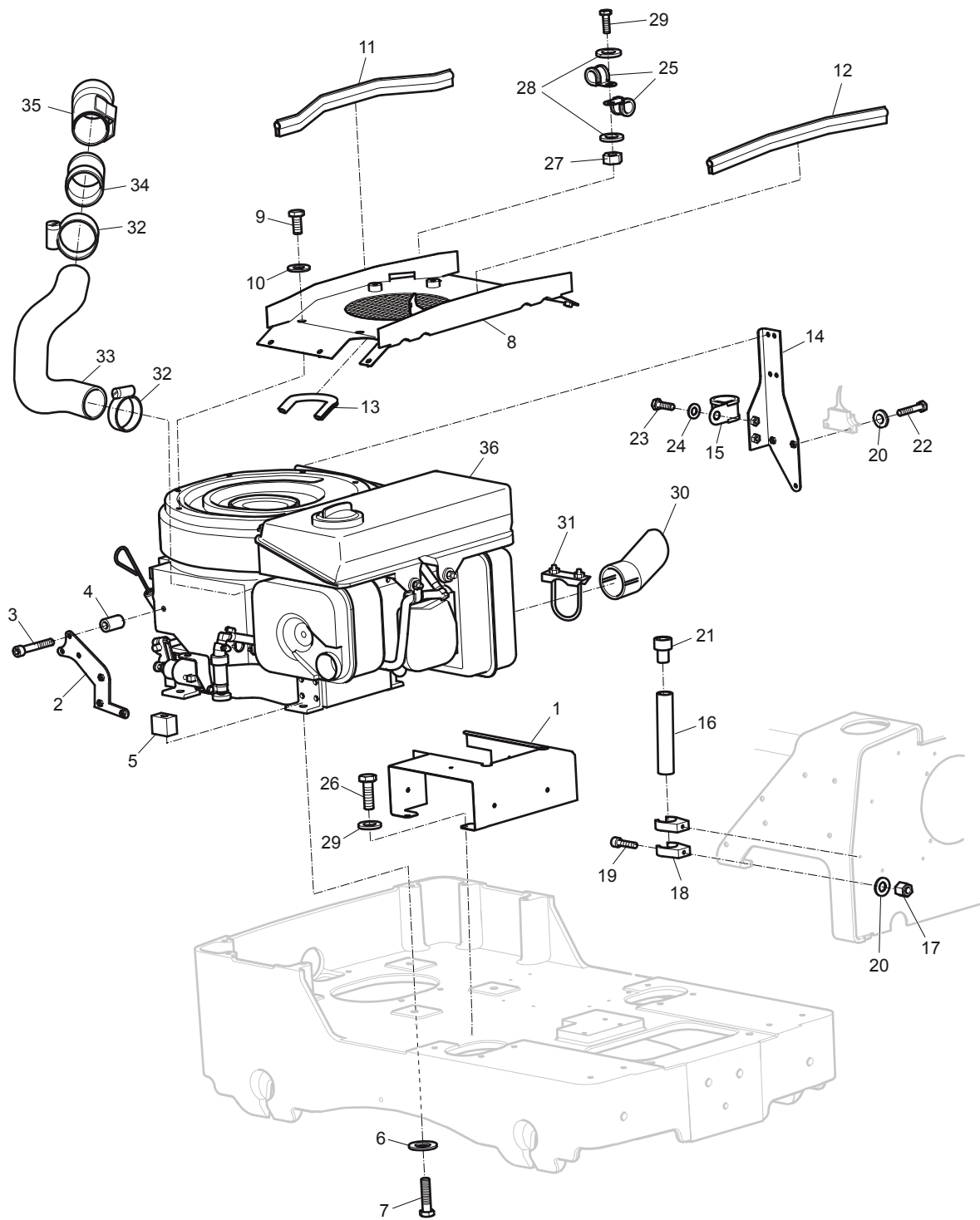
GEOMET is a registered trademark of Nof Metal Coatings North America Inc.

Hydraulic cylinder



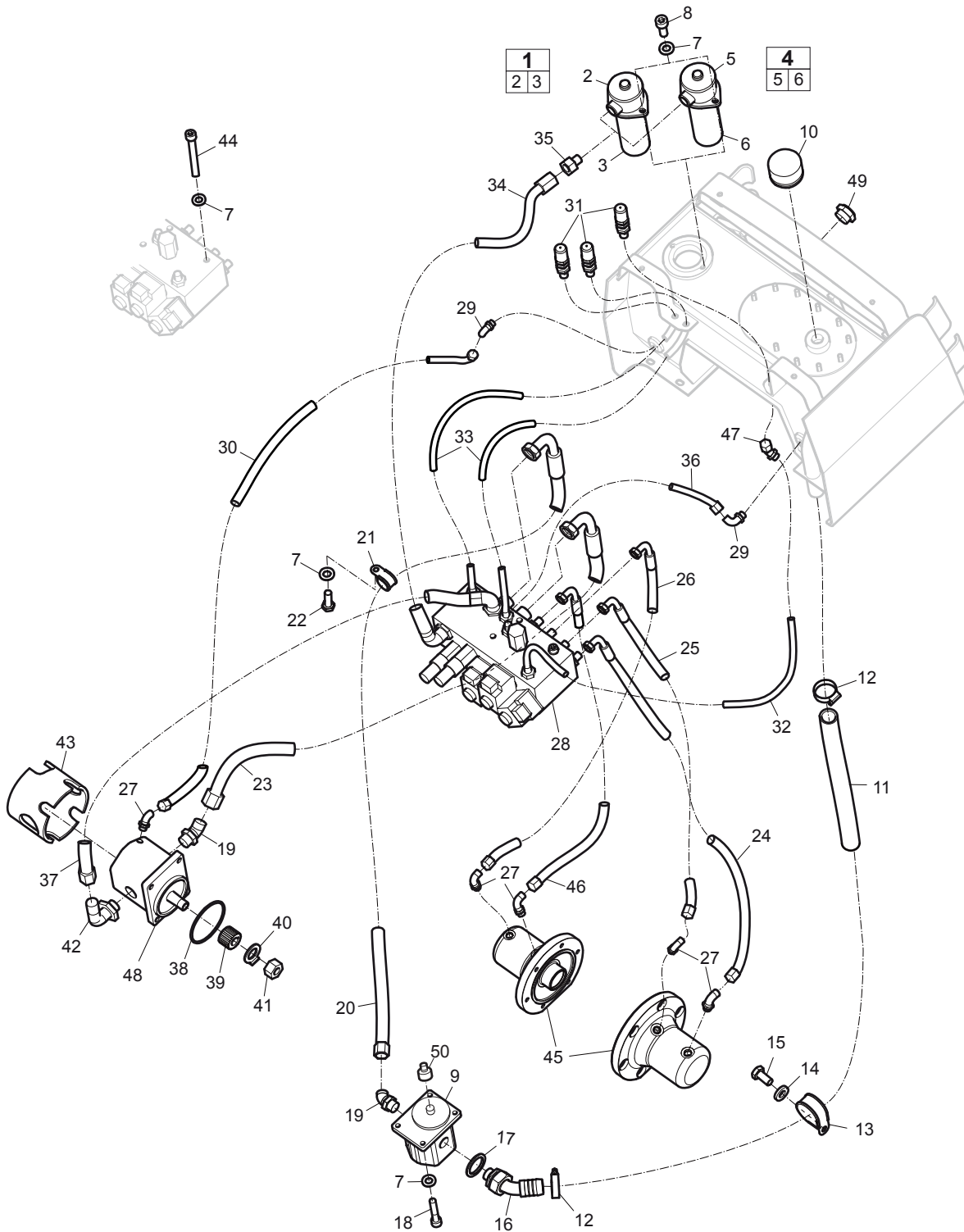
No.	Description	Remark	Quantity	Part number
1	Piston		1	4700 3811 98
2	Hydraulic cylinder		1	4700 3847 04
3	Piston rod		1	4700 3827 60
4	Sleeve		1	4700 3847 06
5	Bearing		2	4700 7912 58
6	Washer		1	4700 3817 83
7	Screw	M6 x 12 mm 8.8 A2K	4	-
8	Retaining ring		1	4700 1510 08
9	Shear wiper		1	4700 9049 37
10	Sleeve		1	4700 3847 05
11	Washer	6.4 x 12 x 1.5 mm 0.25 x 0.47 x 0.06 in. 300 HV	3	-
12	U-packing		1	4700 3842 72
13	O-ring	26.2 x 3 mm 1.03 x 1.12 in. (70 Shore)	1	4700 1600 09
14	Guide ring		1	4700 3842 73
15	Guide ring		1	4700 3842 70
16	Piston seal		1	4700 3842 71

Engine installation



No.	Description	Remark	Quantity	Part number
1	Air inlet		1	4700 3830 26
2	Bracket		1	4700 3830 21
3	Screw	Supplied with engine	1	-
4	Screw	Supplied with engine	1	-
5	Spacer		4	4700 2840 99
6	Washer	13 x 24 x 2 mm 0.51 x 0.94 x 0.08 in. 300 HV	4	-
7	Screw	M12 x 50 mm 8.8 A3K	4	-
8	Cover		1	4700 3852 50
9	Screw	M10 x 16 mm 8.8 A3K	8	-
10	Washer	10.5 x 22 x 2 mm 0.41 x 0.87 x 0.08 in. 300 HV	8	-
11	Edge trim	480 mm 18.19 in.	1	4700 9040 76
12	Edge trim	480 mm 18.19 in.	1	4700 9040 76
13	Edge trim	140 mm 5.51 in.	1	4700 2020 28
14	Bracket		1	4700 3838 49
15	Clamp		1	4700 9211 16
16	Hose		1	4700 2440 59
17	Nut	M5 ISO7040	2	-
18	Ryw-clip		2	4700 2811 16
19	Screw	M5 x 20 mm 8.8 A2K	2	-
20	Washer	5.3 x 10 x 1 mm 0.21 x 0.39 x 0.04 in. 300 HV	4	-
21	Oil drain		1	4700 2818 52
22	Screw	M5 x 25 mm 8.8 A2K	2	-
23	Screw	M8 x 25 mm 8.8 A2K	2	-
24	Washer	8.4 x 16 x 1.5 mm 0.33 x 0.63 x 0.06 in. 300 HV	2	-
25	Clamp		2	4700 9210 39
26	Screw	M6 x 16 mm 8.8 A2K	4	-
27	Nut	M6 A2K	1	-
28	Washer	6.4 x 12 x 1.5 mm 0.25 x 0.47 x 0.06 in. 300 HV	6	-
29	Screw	M6 x 20 mm 8.8 A2K	1	-
30	Exhaust pipe		1	4700 3831 17
31	Clamp		1	4700 3131 00
32	Hose clamp		2	4700 3130 10
33	Air hose		1	4700 9049 53
34	Steel tube		1	4700 3833 12
35	Cyclone		1	4700 9383 10
36	Engine	Hatz 1D90V	1	4700 3790 96

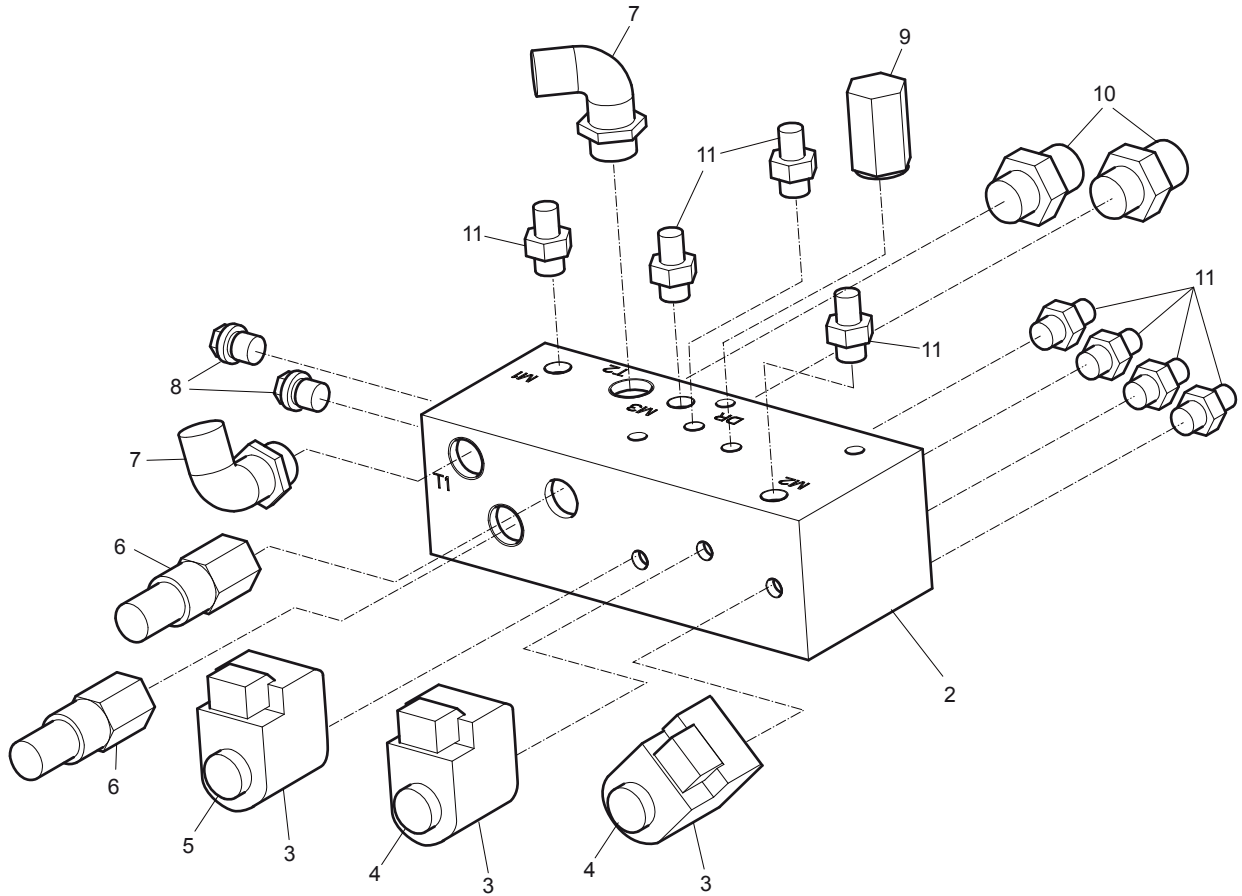
Hydraulic system



No.	Description	Remark	Quantity	Part number
1(2-3)	Hydraulic oil filter, complete	For standard hydraulic oil.	1	4700 2841 79
2	Housing		1	-
3	Filter element		1	4700 3815 52
4(5-6)	Hydraulic oil filter, complete	For biogradable hydraulic oil.	1	4700 3815 51
5	Housing		1	-
6	Filter element		1	4700 3815 53
7	Washer	8.4 x 16 x 1.5 mm 0.33 x 0.63 x 0.06 in. 300 HV	9	-
8	Screw	M8 x 20 mm 8.8 A2K	2	-
9	Hydraulic pump		1	4700 3806 46
10	Air breather		1	4700 3831 94
11	Hydraulic hose		1	4700 3809 27
12	Hose clamp		2	4700 3130 07
13	Pipe clamp		1	4700 9211 19
14	Washer	10.5 x 22 x 4 mm 0.41 x 0.87 x 0.16 in. 300 HV	1	-
15	Screw	M10 x 20 mm 8.8 A3K	1	-
16	Adapter		1	4700 3809 41
17	Seal ring		1	4700 1620 28
18	Screw	M8 x 45 mm 8.8 A2K	4	-
19	Adapter		2	4700 9047 44
20	Hydraulic hose		1	4700 4827 34
21	Clamp		1	4700 9607 27
22	Screw	M8 x 25 mm 8.8 A2K	1	-
23	Hydraulic hose		1	4700 4835 10
24	Hydraulic hose		1	4700 4824 08
25	Hydraulic hose		1	4700 4835 11
26	Hydraulic hose		1	4700 4821 00
27	Elbow	90° 1.57 rad	5	4700 3342 03
28	Hydraulic block complete		1	4700 3962 47
29	Connector		2	4700 2344 81
30	Hydraulic hose		1	4700 3803 84
31	Measuring nipple		3	4700 3563 48
32	Hydraulic hose		1	4700 4826 51
33	Hydraulic hose		2	4700 4835 19
34	Hydraulic hose		1	4700 4835 18
35	Adapter		1	4700 3342 15
36	Hydraulic hose		1	4700 4827 10
37	Hydraulic hose		1	4700 4835 49
38	O-ring		1	4700 1600 31
39	Splined sleeve		1	4700 2841 13
40	Washer		1	-
41	Nut		1	-
42	Elbow adapter		1	4700 2344 80
43	Protector		1	4700 3809 45
44	Screw	M8 x 90 mm 8.8 A2K	1	-
45	Hydraulic cylinder		2	-
46	Hydraulic hose		1	3382 0107 13
47	Elbow	45° 0.79 rad	1	4700 2346 22
48	Hydraulic pump		1	4700 3806 47
49	Sight plug		1	4700 4991 27
50	Splined sleeve		1	4700 9391 58

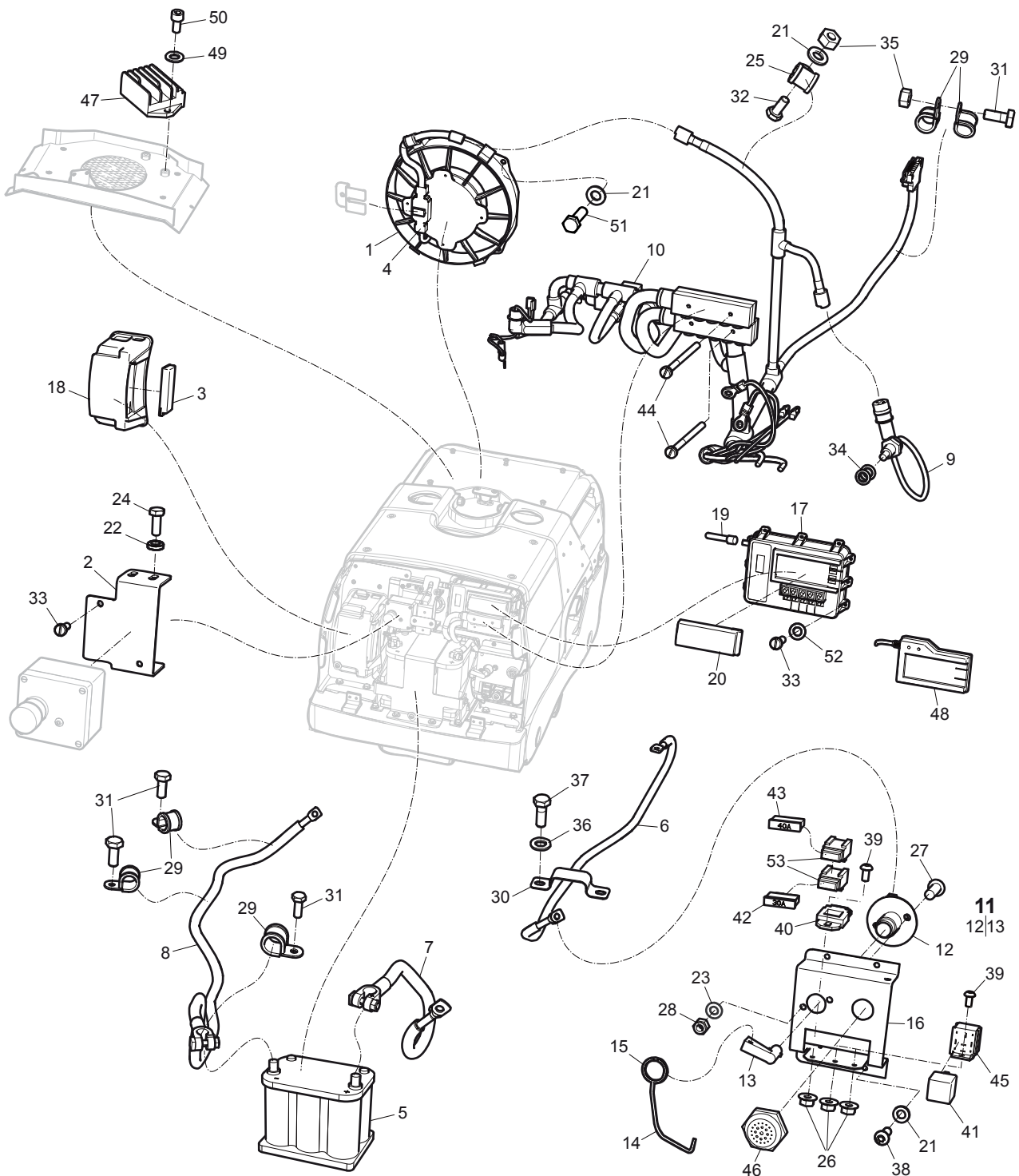
Hydraulic block

						1					
2	3	4	5	6	7	8	9	10	11		



No.	Description	Remark	Quantity	Part number
1(2-11)	Hydraulic block, complete		1	4700 3962 47
2	Block		1	-
3	Electromagnet		3	4700 9502 19
4	Valve		2	4700 9382 33
5	Valve		1	4700 9382 35
6	Pressure limit valve		2	4700 9382 36
7	Elbow		2	4700 2349 93
8	Plug		2	4700 3320 38
9	Pressure reducing valve		1	4700 9382 34
10	Straight o-ring connector		2	4700 3341 16
11	Connector		8	4700 3341 44

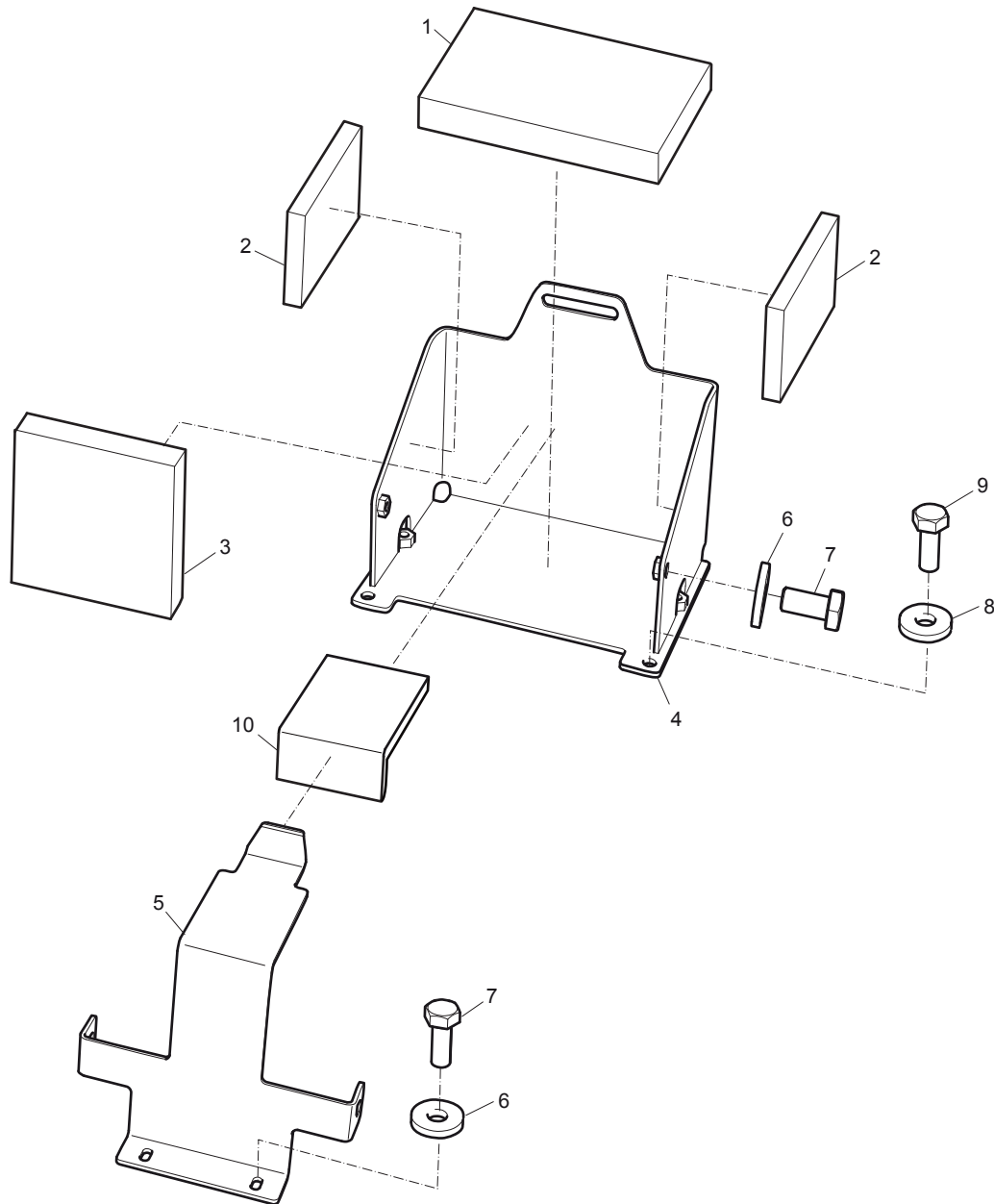
Electrical equipment



No.	Description	Remark	Quantity	Part number
1	Fan		1	4700 3862 87
2	Bracket		1	4700 3828 56
3	Battery		1	4700 3860 68
4	Connector		1	4700 7910 50
5	Battery		1	4700 3946 43
6	Connection cable		1	4700 3832 91
7	Battery cable	+	1	4700 7926 14
8	Battery cable	-	1	4700 7926 15
9	Temperaure sensor		1	4700 3832 45
10	Cable harness		1	4700 3940 13
11(12-13)	Battery switch, complete		1	4700 3575 67
12	Socket		1	-
13	Handle		1	4700 9025 60
14	Wire		1	4700 3760 08
15	Key ring		1	4700 3582 54
16	Bracket		1	4700 3943 58
17	Radio reciever		1	4700 3783 51
18	Radio transmitter		1	4700 3860 65
19	Antenna		1	4700 9391 00
20	Battery		1	4700 3860 68
21	Washer	6.4 x 12 x 1.5 mm 0.25 x 0.47 x 0.06 in. 300 HV	9	-
22	Washer		4	-
23	Washer	8.4 x 16 x 1.5 mm 0.33 x 0.63 x 0.06 in. 300 HV	1	-
24	Screw	M6 x 16 mm 8.8 A2K	4	-
25	Clamp		3	4700 9210 39
26	Nut		4	4700 9036 03
27	Screw	M8 x 20 mm A2-70	2	-
28	Nut	M8	2	-
29	Clamp		5	4700 9210 31
30	Clamp		2	4700 3842 00
31	Screw		4	4700 5001 85
32	Screw	M16 x 80 mm 8.8 A3K	3	-
33	Screw		14	4700 5330 12
34	Washer	10 x 14 x 1 mm 0.39 x 0.55 x 0.04 in.	2	-
35	Nut	M6 A2K	2	-
36	Washer	5.3 x 10 x 1 mm 0.21 x 0.39 x 0.04 in. 300 HV	4	-
37	Screw		4	4700 5001 84
38	Screw	M6 x 16 mm A2-70	4	-
39	Screw	M5 x 10 mm A2-70	4	-
40	Bracket		1	4700 9040 36
41	Relay		2	4700 9039 56
42	Fuse	30 A	1	4700 9012 30
43	Fuse	40 A	1	4700 7910 42
44	Screw		4	4700 9002 43
45	Relay holder		1	4700 9046 96
46	Summer		1	4700 3832 93
47	Voltage regulator		1	4700 3861 86
48	Desktop charger	Accessory	1	4700 3911 36
49	Washer	8.4 x 16 x 1.5 mm 0.33 x 0.63 x 0.06 in. 300 HV	2	-
50	Screw	M8 x 16 mm 8.8 A3K	2	-

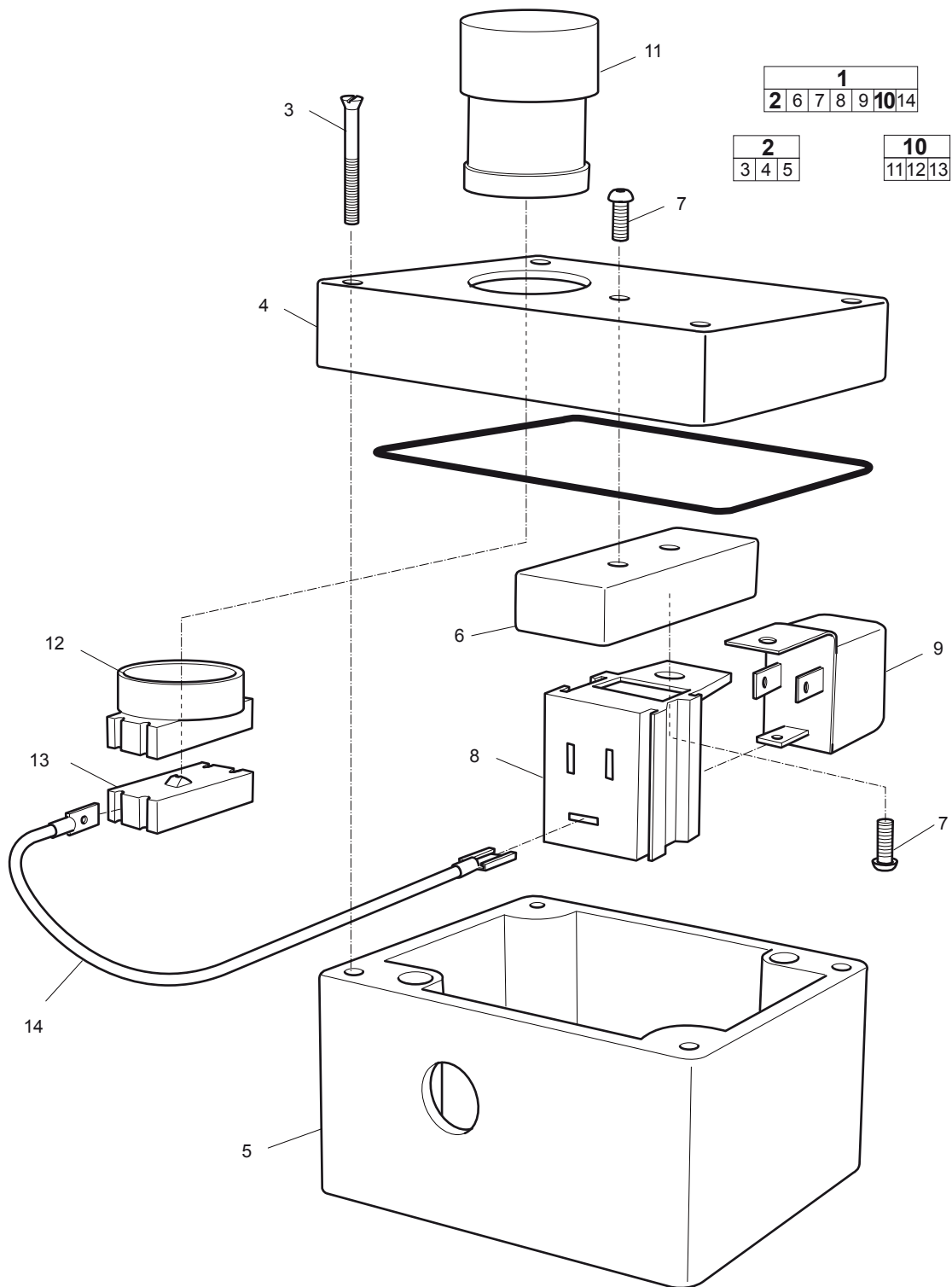
No.	Description	Remark	Quantity	Part number
51	Washer	M6 x 20 mm 8.8 A2K	4	-
52	Washer	0.17 x 0.31 x 0.8 mm 0.47 x 0.87 x 0.03 in. 300 HV	12	-
53	Fuse holder		2	4700 7910 14

Battery box



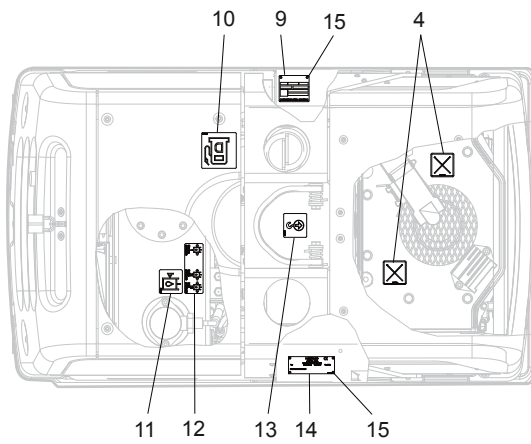
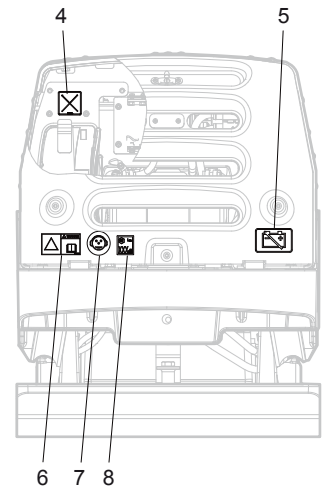
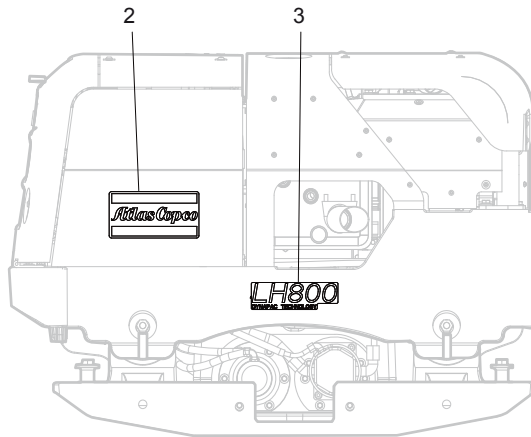
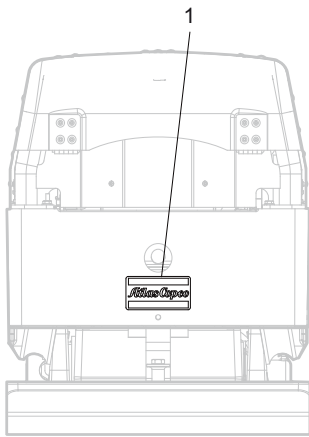
No.	Description	Remark	Quantity	Part number
1	Insulation		1	4700 3790 61
2	Insulation		2	4700 3815 33
3	Insulation		1	4700 3843 19
4	Battery box		1	3382 0107 46
5	Battery holder		1	3382 0107 47
6	Washer	8.4 x 22 x 3 mm 0.33 x 0.87 x 0.12 in. HV300	4	-
7	Screw	M8 x 18 mm 8.8 A2K	4	-
8	Washer	10.5 x 22 x 2 mm 0.41 x 0.87 x 0.08 in. 300 HV	2	-
9	Screw	M10 x 20 mm 8.8 A3K	2	-
10	Insulation		1	4700 3809 48

Emergency box



No.	Description	Remark	Quantity	Part number
1(2,6-9,10,14)	Emergency box, complete		1	3382 0107 50
2(3-5)	Box, complete		1	3382 0107 48
3	Screw		4	-
4	Upper part		1	-
5	Lower part		1	-
6	Bracket		1	4700 3832 51
7	Screw	M5 x 10 mm 8.8 A2-70	2	-
8	Relay holder		1	4700 3813 89
9	Relay		1	4700 3813 90
10(11-13)	Emergency stop, complete		1	4700 2882 73
11	Push button		1	4700 9257 12
12	Connector		1	4700 9038 76
13	Contact piece		1	4700 9301 54
14	Cable		1	4700 3832 94

Labels



No.	Description	Remark	Quantity	Part number
1	Product label	"Atlas Copco"	1	3382 0101 75
2	Product label	"Atlas Copco"	2	3382 0100 22
3	Product label	"LH 800"	2	3382 0107 03
4	Safety label	Engine wash prohibited	3	4700 3889 66
5	Label	Master switch	1	4700 9048 35
6	Safety label	Instruction manual	1	4700 9046 80
7	Label	Use ear protectors	1	4700 2818 98
8	Noise level label		1	4700 7912 97
9	Engine information label		1	-
10	Label	Diesel	1	4700 9916 58
11	Label	Hydraulic oil	1	4700 2723 73
12	Label	Pressure measure	1	4700 3852 76
13	Lifting point label		1	4700 3575 87
14	Data plate		1	-
15	Drive screw		8	-

Kits

One year service kit

One year service kit

Part number 3382 1000 72

Description	Remark	Quantity	Part number
Air filter		5	4700 2394 23
Fuel filter		5	4700 9374 30
Gasket	For valve cover.	1	4700 2393 33
O-ring	For oil filter cover.	1	4700 2393 35
O-ring	For oil filter plug.	1	4700 9454 25
Oil filter		5	4700 2393 26

Shock absorber repair kit

Description	Remark	Quantity	Part number
Shock absorber repair kit		1	3382 1000 73
Shock absorber	For ground plate. See section "Ground plate, engine plate and frame".	4	4700 2815 90
Nut	M16 A3K See section "Ground plate, engine plate and frame".	8	-
Washer	17 x 30 x 3 mm 0.70 x 1.18 x 0.12 in. 300 HV See section "Ground plate, engine plate and frame".	8	-

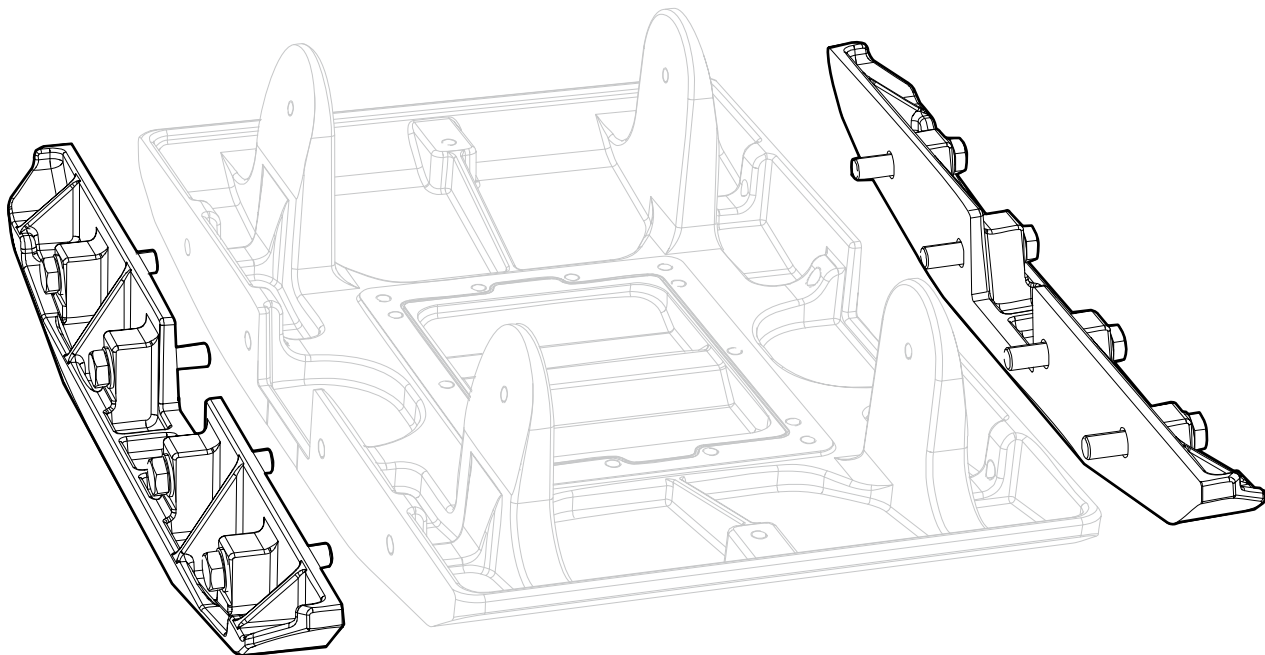
Eccentric element repair kit

Description	Remark	Quantity	Part number
Eccentric element repair kit		1	4812 1554 75
Roller bearing	See section "Eccentric element".	4	4700 9005 64
Ball bearing	See section "Eccentric element".	4	4700 1112 10
O-ring	See section "Eccentric element".	1	-
O-ring	See section "Eccentric element".	1	-
Washer sealing	16.7 x 24 x 1.5 mm 0.66 x 0.94 x 0.06 in. TYPE A,M16	1	-
Screw	M6 x 20 mm 8.8 A2K	20	-
Washer	6.4 x 12 x 1.5 mm 0.25 x 0.47 x 0.06 in. 300 HV	20	-
Screw	M8 x 25 mm 8.8 A2K	4	-
Washer	8.4 x 16 x 1.5 mm 0.33 x 0.63 x 0.06 in. 300 HV	4	-

Forward and reverse piston repair kit

Description	Remark	Quantity	Part number
Forward and reverse piston repair kit		2	4812 1555 71
Piston	See section "Hydraulic cylinder".	1	4700 3811 98
Sleeve	See section "Hydraulic cylinder".	1	4700 3847 06
Bearing	See section "Hydraulic cylinder".	2	4700 7912 58
Shear wiper	See section "Hydraulic cylinder".	1	4700 9049 37
U-packing	See section "Hydraulic cylinder".	1	4700 3842 72
Piston rod	See section "Hydraulic cylinder".	1	4700 3827 60
O-ring	See section "Hydraulic cylinder".	1	4700 1600 09
Guide ring	See section "Hydraulic cylinder".	1	4700 3842 73
Hydraulic cylinder	See section "Hydraulic cylinder".	1	4700 3847 04
Guide ring	See section "Hydraulic cylinder".	1	-
Piston seal	See section "Hydraulic cylinder".	1	-

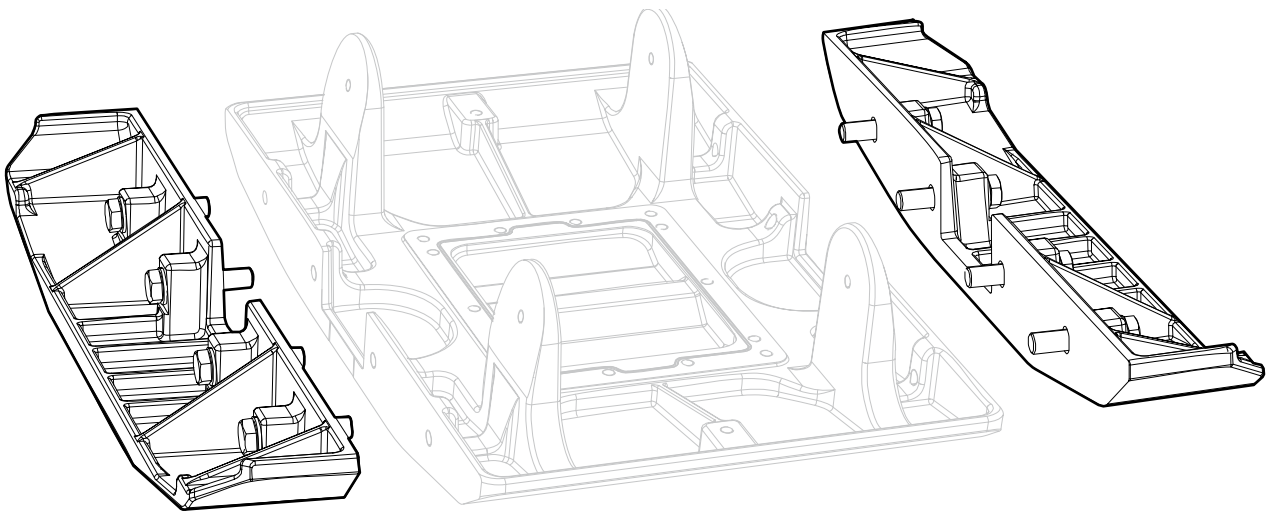
Extension plate kit 2 x 75 mm (2 x 2.95 in.)



Description	Remark	Quantity	Part number
Extension plate kit 2 x 75 mm (2 x 2.95 in.)		1	4700 3820 11
Extension plate	75 mm 2.95 in.	2	-
Washer	21 x 36 x 3 mm 0.83 x 1.42 x 0.24 in. 300 HV	8	-
Screw	M20 x 90 mm 10.9 GEOMET®	8	4700 9252 08

GEOMET is a registered trademark of Nof Metal Coatings North America Inc.

Extension plate kit 2 x 150 mm (2 x 5.90 in.)



Description	Remark	Quantity	Part number
Extension plate kit 2 x 150 mm (2 x 5.90 in.)		1	4700 3820 12
Extension plate	150 mm 5.90 in.	2	-
Screw	M20 x 90 mm 10.9 GEOMET®	8	4700 9252 08
Washer	21 x 36 x 3 mm 0.83 x 1.42 x 0.24 in. 300 HV	8	-

GEOMET is a registered trademark of Nof Metal Coatings North America Inc.

Any unauthorized use or copying of the contents or any part thereof is prohibited.
This applies in particular to trademarks, model denominations, part numbers, and
drawings.

© 2013 Atlas Copco Construction Tools AB | No. 9800 1116 01a | 2013-06-26

